

GXL-SA01 Angle Bracket

Features

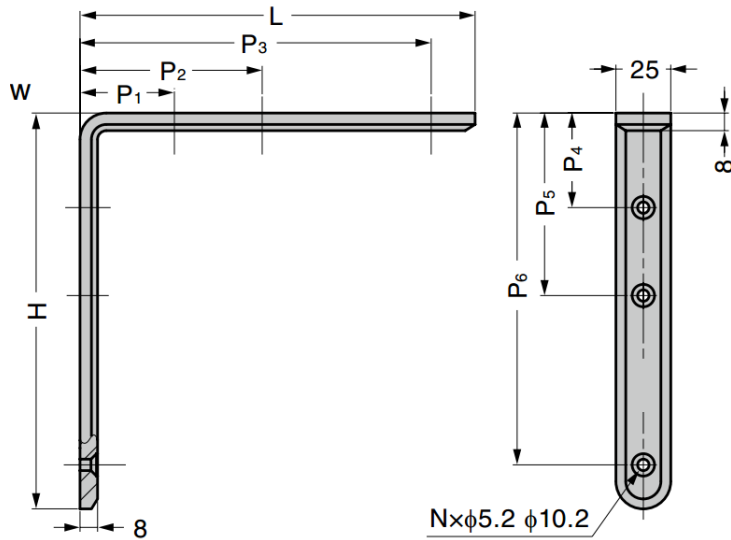
- Chamfered profile provides excellent safety and design
- Made of stainless steel with excellent rust resistance, ideal for use as reinforcement fittings and brackets for partition panel in various places such as bathroom, kitchen, marine, and medical
- Rounded corners for safety

Material

- Stainless steel 304, satin or polished finish

Notes

- To prevent inclination due to the load when using as a shelf bracket, the opening angle is slightly more than 90°
- Raised countersunk head tapping screw 5 x 30 (SUS) provided



Part No.	Finish	L	H	P ₁	P ₂	P ₃	P ₄	P ₅	P ₆	Holes	Load Capacity
GXL-SA01-120S	Satin	120	120	38		100	38		100	4	226 N 23 kg
GXL-SA01-120M	Polished										
GXL-SA01-150S	Satin	150	150			130			130		177 N 18 kg
GXL-SA01-150M	Polished										
GXL-SA01-180S	Satin	180	180	43		160	43		160	6	137 N 14 kg
GXL-SA01-180M	Polished										
GXL-SA01-240S	Satin	240	240		83	220		83	220		118 N 12 kg
GXL-SA01-240M	Polished										